

# The JA-187J wireless wrist button



**JABLOTRON**  
CREATING ALARMS



JABLOTRON ALARMS a.s.  
Pod Skalkou 4567/33 | 46601 | Jablonec n. Nisou  
Czech Republic | www.jablotron.com



The JA-187J is a component of Jablotron's alarm system. It allows users to trigger panic alarms or to control appliances remotely. It is especially designed for personal calls for help. The battery-powered wireless button communicates via Jablotron radio protocol.

The button can be worn on your wrist like a watch or it can hang around your neck (an appropriate strap is supplied in the package). **Caution: When hanging around the neck, the strap must be equipped with a mechanical release which disconnects the strap whenever the loading force exceeds 40N.**

## Enrolling to an Jablotron control panel

The button can be used with an Jablotron control panel for triggering panic alarms. Take the following steps to enroll the button:

1. Enter enrollment mode on the control panel by keying in "1" in Service mode (the desired device address can be chosen by the arrow keys).
2. Hold the button until you see the button's LED flash once.
3. The button will enroll to the chosen position.
4. Exit enrollment mode by pressing "#".

The control panel's natural reaction to the button is a Panic alarm. A different reaction can be programmed if desired.

The wrist button can be enrolled by inserting the battery (step 2).

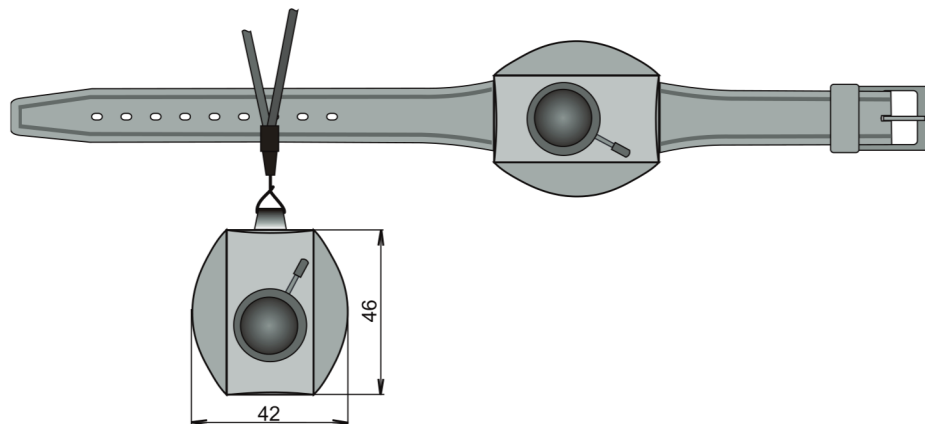
## Functionality

By factory default, the button reacts to pressing with beeps and flashes. This way it is signalled that the time is getting close for alarm triggering. If you re-press the button within 5 seconds, the pre-alarm condition will be cancelled. If no cancellation occurs, an alarm signal will be sent after 5 seconds. This feature allows the user to cancel accidental button pressing.

The button can be reconfigured to another function as follows:

1. Open the button unit (release 4 screws from below) and pull out the electronics.
2. Disconnect the battery from the holder (it can be pulled out using a thin tool). Wait for 15 seconds.
3. Press and hold the button with one hand and insert the battery with your other hand. Keep the button pressed until beeps are heard (after 2 seconds approximately). The number of beeps (1, 2 or 3) indicates the mode which has been set, see below.

1 beep	The button will beep and flash 5 seconds after being pressed (this mode allows the cancelling of accidental pressing).
2 beeps	Respond to a single press instantly by triggering an alarm and sounding a single beep.
3 beeps	Respond to a single press instantly and silently by triggering an alarm.



Choose the desired function by repeating steps 2 and 3, then reassemble the button. This configuration will not be affected by normal battery replacement (reconfiguration is only possible in the above way).

## Testing the panic button

The signals received by the control panel from the JA-187J can be checked and measured. See the control panel manual for details.

## Controlling electrical appliances

The JA-187J can also be used with other Jablotron products which communicate via Jablotron radio protocol, e.g. the JA-180L wireless siren, or relay receiving modules series JA-182N and JA-180N (see the manuals of these particular products for details).

The JA-187J transmits the same kind of signal as transmitted when a pair of buttons is pressed simultaneously on an JA-186J keyfob.

The JA-187J can be enrolled to several receivers at once, e.g. alarm triggering can also cause lights to be turned on.

## Battery replacement

The button unit monitors its battery voltage and if too low, a report is sent to the control panel to inform the installer or user. A critical voltage level is also indicated by an LED flashing fast 3 times every 5 minutes. The battery should be replaced as soon as possible. As with configuration, the button can be opened by unscrewing the 4 screws from the bottom part. We recommend battery replacement be done by a service technician.

Expired batteries should not be thrown into the garbage, but disposed of according to local regulations.

## Technical specifications

Voltage	lithium battery type CR 2032 (3.0 V / 0.2 Ah)
Typical battery lifetime	approx. 3 years (for 1 daily activation maximum)
Communication band	868,1 MHz, Jablotron protocol
Communication range	approx. 50 m (open area)
Environment	external protected
Housing	IP-44
Operational temperature	-25 to +50 °C
Can be operated according to	ERC REC 70-03
Complies with	ETSI EN 300220, EN 50130-4, EN 55022, EN 60950-1, EN 50134-2

FCC ID VL6RC87



JABLOTRON ALARMS a.s. hereby declares that the JA-187J is in a compliance with the relevant Union harmonisation legislation: Directives No: 2014/53/EU, 2014/35/EU, 2014/30/EU, 2011/65/EU. The original of the conformity assessment can be found at [www.jablotron.com](http://www.jablotron.com) - Section Downloads.



**Note:** Although this product does not contain any harmful materials we suggest you return the product to the dealer or directly to the producer after use.