

The JA-115P BUS ceiling PIR motion detector

This detector is a BUS device of the **JABLOTRON 100** series. It is intended to be used for movement detection in building interiors. The detector should be installed on a ceiling. Its guaranteed detection coverage is 360° with a radius of up to 5.5 metres when installed 3.5 metres above the floor. False alarm immunity is configurable at two levels. The detector has a pulse reaction, takes one position in the system and it should be installed by a trained technician with a valid certificate issued by an authorized distributor.

Installation

It is necessary to take into consideration that there should be no obstacles in the detector's view which quickly change temperature (electrical heaters, gas appliances, etc.), which move (e.g. curtains hanging above a radiator, robotic vacuum cleaners); or any undesirable movement of house pets. Despite the detector being very resistant to false alarms, it is not recommended to install the detector opposite windows, floodlights or in places with over-intense air circulation (close to ventilators, heat sources, air conditioning outlets, unsealed doors, etc.). There should be no obstacles in front of the detector obscuring its view over the monitored area.

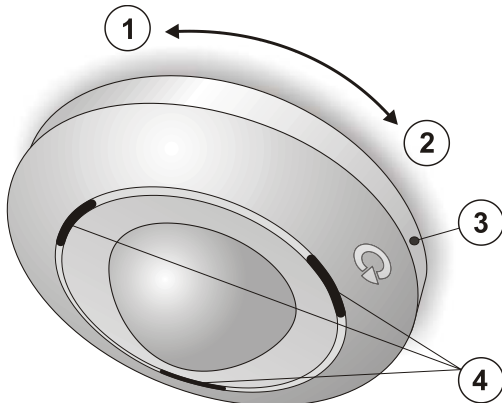


Figure 1: 1 – release direction; 2 – fixing direction; 3 – hole for a fixing screw; 4 – Indication LEDs

1. Turn the top part counter-clockwise (1) to open the detector.
2. Insert the BUS cable through an appropriate cut-out hole in the base and attach the detector base to a selected place on a ceiling.
3. Eject the removable part of the BUS terminal (8) from the base and connect to it the BUS wires according to the colour label and description.



When connecting the detector to the system BUS, always switch the power off.

4. When switched on, the red LEDs will light up and stay on until the end of detector stabilization (up to 1 minute). After that a yellow LED will flash (to indicate the detector has not been enrolled into the system).
5. **Follow the instructions stated in the control panel installation manual.** Basic procedure:
 - a. Open the F-Link software, select an unused position in the **Devices** tab and click on the **Enroll** button to enter the **Enrollment mode**
 - b. Click on the option **"Scan/add new BUS devices"** and select this detector from the offered list and double-click to confirm selection. The yellow LED indicator goes off.
6. Attach the detector back onto its base and fasten it by turning it clockwise (2). The detector can only be attached at one position marked by alignment arrows and the JABLOTRON logo (5) on both parts.
7. To comply with norms and their requirements, it is necessary to attach the top part to the base (3) using a fixing screw included in the packaging.
8. Configure the detector by following the instructions in the **Property settings** section.

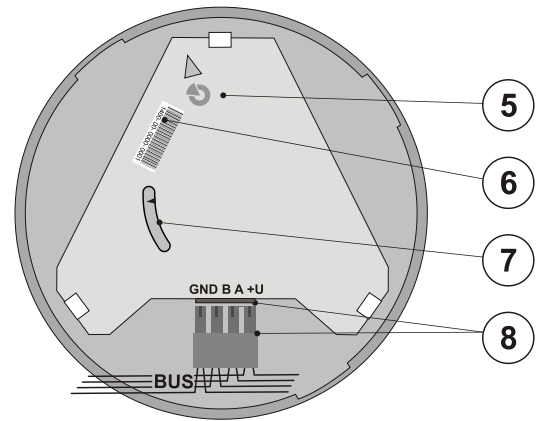


Figure 2: 5 – alignment arrow / logo; 6 – production number; 7 – tamper sensor; 8 – BUS connection terminal

Notes:

- The detector can also be enrolled into the system by sending an enrollment signal, which is done automatically when attaching the detector onto its base – the tamper sensor triggers (7).
- The detector can also be enrolled into the system by entering its production code in the F-Link software. You can find the production code on the sticker placed inside the detector (6). All numbers under the bar code shall be entered (1400-00-0000-0001).
- If you want to remove the device from the system, erase it from its position in the F-Link software.

Property settings

Open the **F-Link** software, go to the **Devices** tab. Click on the **Internal settings** option at the siren's position to open a dialogue window where you can set the following options: (* indicates default settings).

LED movement indication: Disables / Enables* movement indication with a red LED (4). Always indicates in Service mode.

Immunity level: Determines the immunity to false alarms. The **Standard*** level combines basic immunity with a rapid reaction. The **High** level provides increased immunity, but the detector reaction is slower.

Higher detection sensitivity when unset: Enabled / Disabled* - It is possible to increase the movement detection sensitivity when unset, if the detector is also used for home automation (e.g. switching the lights on with a PG output).

Detection characteristics

The detector is fitted with a 360° lens which covers the monitored area with 3 main circular zones separated into 64 beams. The lens cannot be replaced by a different type.

The maximum recommended installation height is 3.5 m (installing the detector higher will lead to a lower sensitivity underneath the detector).

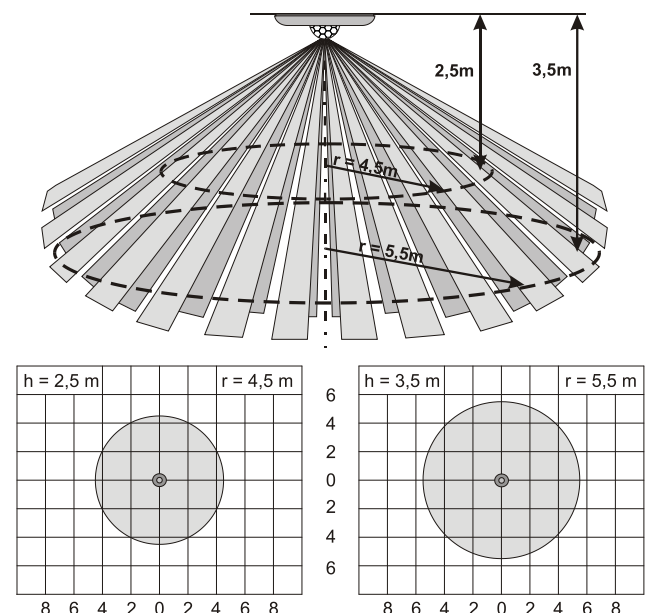


Figure 3: The above diagrams apply only to the standard immunity level.

The JA-115P BUS ceiling PIR motion detector

Installation accessories

PLV-P-ST – A mounting pad has been developed as a certified accessory for ceiling detectors to provide a better arrangement for the BUS cable in cases where it cannot be elegantly hidden in the ceiling (e.g. mounting the detector on a concrete ceiling). The pad is not included in the detector package.

Technical specifications

Power	from the control panel BUS 12 V DC (9 ... 15 V)
Current consumption:	
- nominal consumption to calculate backup time	2.8 mA
- maximum consumption for cable selection	30 mA
Recommended installation height	2.5 – 3.5 m above ground level
Detection coverage	360°/11 m (installation height – 3.5m)
Dimensions	Ø125x40 mm
Weight	120 g
Classification	security grade 2 / environmental class II (according to EN 50131-1)
Operational environment	indoor general
Operational temperature range	-10 °C to +40 °C
Average operational humidity	75 % RH, non-condensing
Certification body	Trezor Test s.r.o. (no. 3025)
Complies with	EN 50131-1 ed. 2+A1+A2, EN 50131-2-2, EN 50130-4 ed. 2+A1, EN 55032, EN 50581



JABLOTRON ALARMS a.s. hereby declares that the JA-115P detector is in compliance with the relevant European Union harmonisation legislation: Directives No: 2014/35/EU, 2014/30/EU, 2011/65/EU, when used as intended. The original of the conformity assessment can be found at www.jablotron.com – the Downloads section.



Note: Although this product does not contain any harmful materials we suggest you return the product to the dealer or directly to the producer after use.