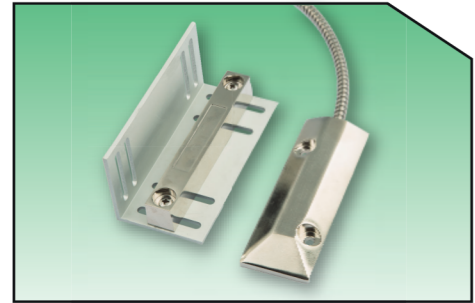


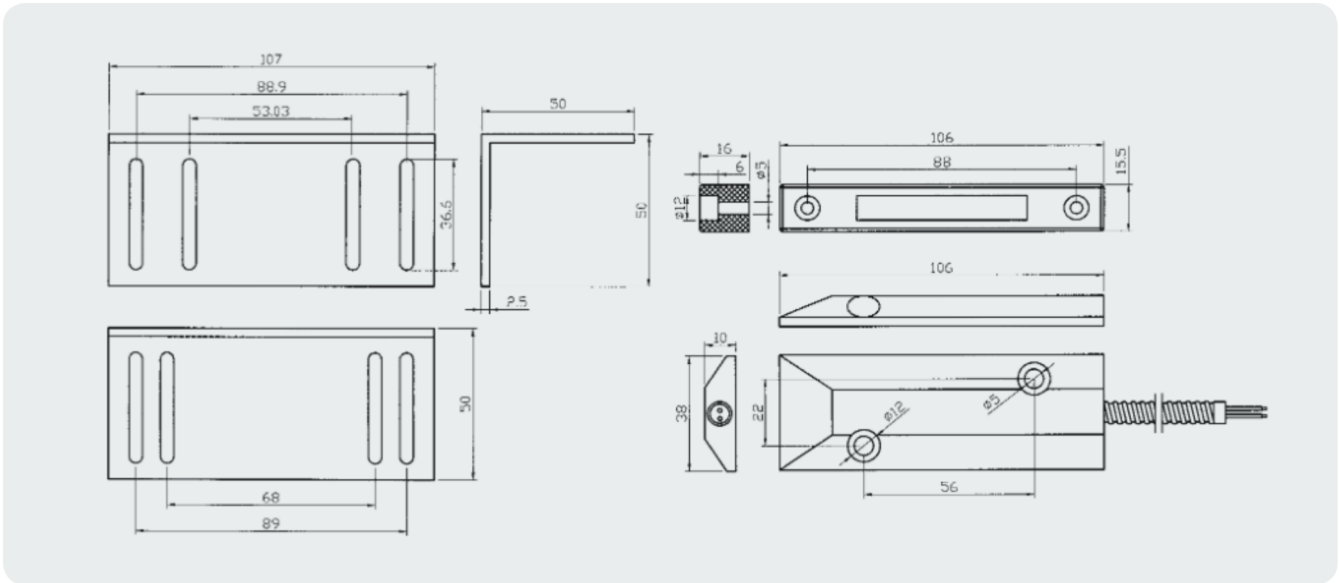
Specification: **BSD-3011**

- Cast aluminum casting for harsh environment
- Wire: #22AWG with 22" armored cable
- Longer cable available on request
- Optional " L " bracket
- Resistor, Diode and Supervisory Loop available on request

••• Overhead Door Contact



Dimension (mm):



Order Information:

Part Number	Loop Type	Reed Form	Closed Gap [Inch(mm)]	Departure Gap [Inch(mm)]	Maximum Initial Contact Resistance (Ohm)	Maximum Contact Rating (W)	Maximum Switching Voltage (VDC/VAC)	Maximum Switching Current (A)
BSD-3011	Closed	N/O	2.5 (65)	2.8 (71)	0.150	7.5	100	0.4
BSD-3011WG	Closed	N/O	3(75)	3.3 (83)	0.150	7.5	100	0.4
BSD-3011A	Open	N/C	2½(65)		0.150	3	30	0.2
BSD-3011C	Closed & Open	SPDT	2½(65)		0.150	3	30	0.2
BSD-3011D	DPDT	2SPDT	2½(65)		0.150	3	30	0.2

* These magnetic contact switches shall be installed so that a door or other movable opening cannot be opened more than 2 inches (51mm) without initiating an alarm. Switches exceeding 2 inches can not be installed per UL681-the Standard for installation and Classification of Burglar and Holdup Alarm