

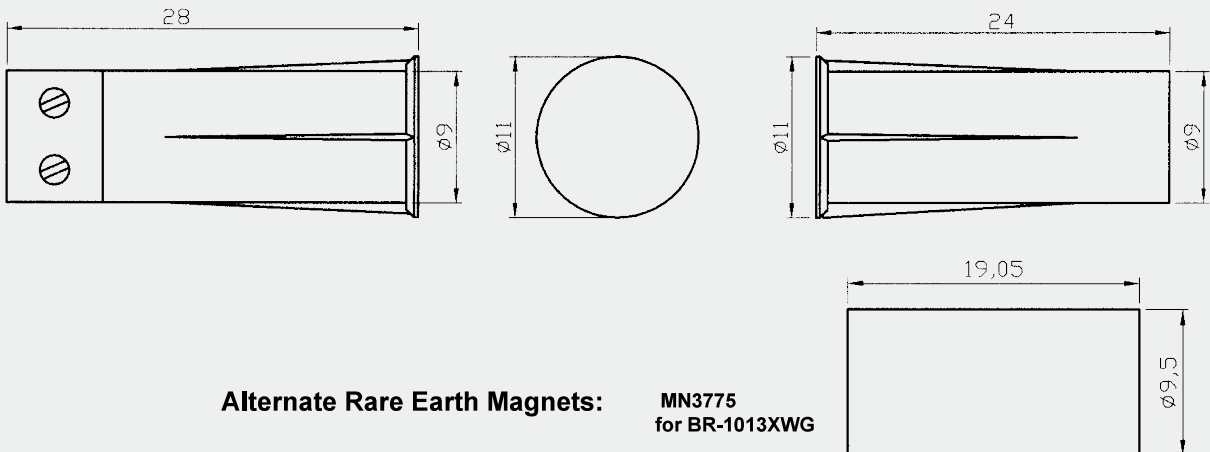
Specification: **BR-1013T**

- * 3/8" diameter press to fit
- * Terminal block for quick connecting
- * Switch and Magnet available separately
- * Build-in Resistors or Diodes on quest
- * Colors: White, Brown, Grey

... Recessed Mounted



Dimension (mm):



Alternate Rare Earth Magnets: MN3775 for BR-1013XWG

Order Information:

Part Number	Loop Type	Reed Form	Closed Gap [Inch(mm)]	Depature Gap [Inch(mm)]	Maximum Initial Contact Resistance (Ohm)	Maximum Contact Rating (W)	Maximum Switching Voltage (VDC/VAC)	Maximum Switching Current (A)
BR-1013T	Closed	N/O	$15/16$ (23)	0.87 (25)	0.150	10	100	0.5
BR-1013TXWG	Closed	N/O	$1\frac{1}{2}$ (37)	1.61 (41)	0.150	10	100	0.5
BR-1013TA	Open	N/C	$3/4$ (19)		0.150	3	30	0.2

Note: Wire Range: #20~#24AWG