

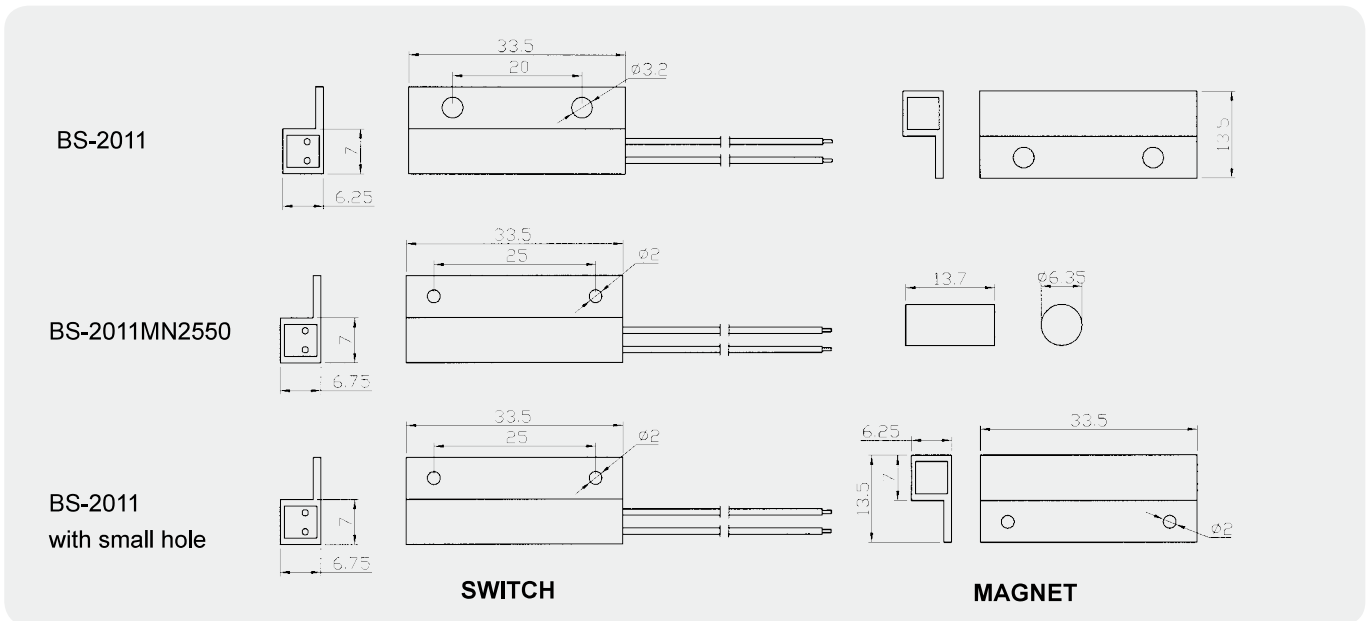
## Specification: **BS-2011**

- \* Mini Stick-on contact with flange
- \* Side leads with #22AWG 18" length
- \* Adhesive and screw mount included
- \* Special leads on request
- \* Switches or magnets available separately
- \* Resistor, Diode and Supervisory Loop available on request
- \* Colors: White, Brown, Grey
- \* Without Flange (BS-2051)

## ... Roll Ball Switch



## Dimension (mm):



## Order Information:

Part Number	Loop Type	Reed Form	Closed Gap [Inch(mm)]	Departure Gap [Inch(mm)]	Maximum Initial Contact Resistance (Ohm)	Maximum Contact Rating (W)	Maximum Switching Voltage (VDC/VAC)	Maximum Switching Current (A)
BS-2011	Closed	N/O	1 (25)	1.06 (27)	0.150	10	100	0.5
BS-2011MN2550	Closed	N/O	1 (25)	1.1 (28)	0.150	10	100	0.5
BS-2011WG	Closed	N/O	1 <sup>1</sup> / <sub>4</sub> (31)		0.150	10	100	0.5
BS-2011A	Open	N/C	1 (24)		0.150	3	30	0.2
BS-2011C	Closed & Open	SPDT	1(24)		0.150	3	30	0.2

